

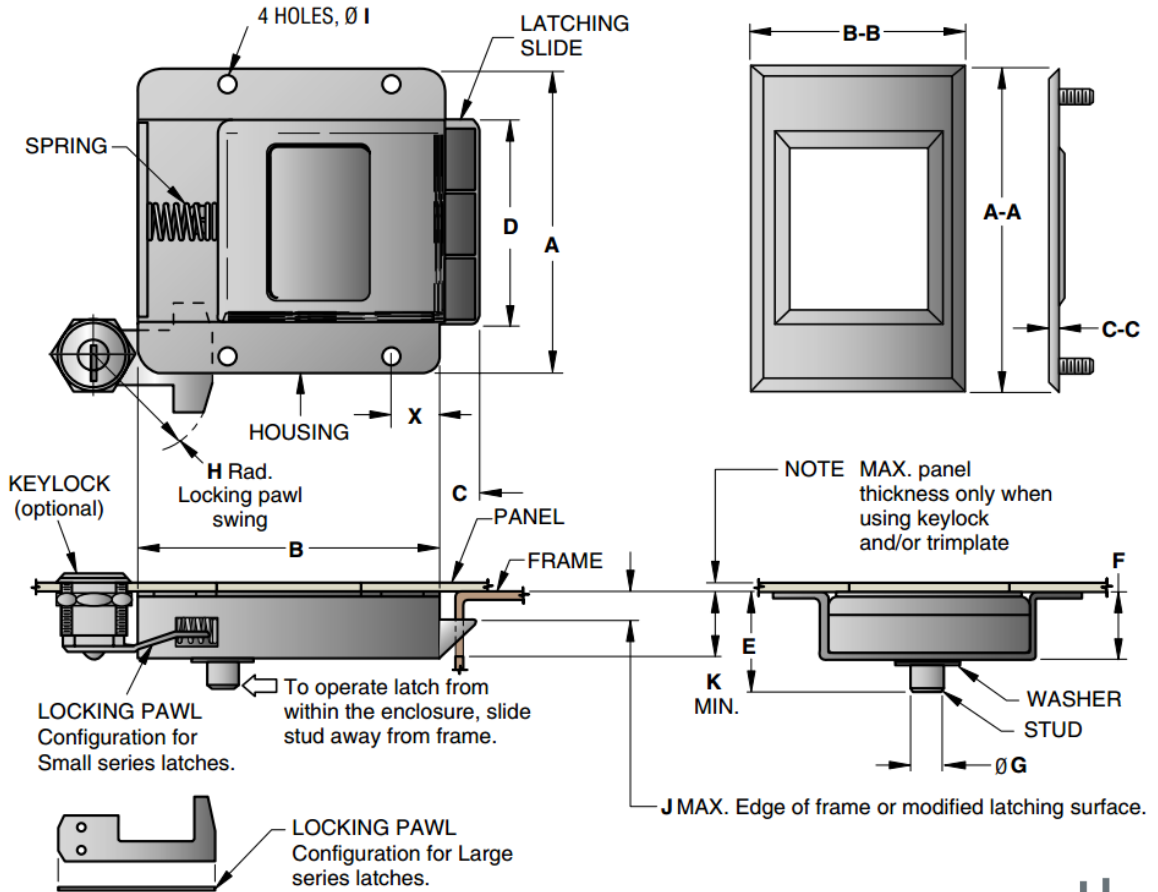
B7 Sliding Flush Latch

Features

- Slide to open
- Mounts flush to the panel
- Operates from outside or inside the enclosure
- Optional keylock available
- Optional trimplate conceals mounting hardware

Product Performance

- Maximum static load:
 - Small: 360 N
 - Large: 530 N
- Average ultimate load:
 - Small: 640 N
 - Large: 1,200 N
- Flammability rating: UL94-HB
- Operating temperature range: -18 °C to 65 °C



southco®

SIZE	DIMENSIONS									TRIMPLATE			WITH KEYLOCK		WITHOUT KEYLOCK	
	A	B	C	D	E	F	ØG	H	ØI	A-A	B-B	C-C	MAX. Panel Thickness	Part Numbers	MAX. Panel Thickness	Part Numbers

With Mounting Trimplate

Small	89	88	10.5	59	29.5	19	9.5	36.5	5.1	95	63.5	2.5	4	B7-50-301-10	4	B7-40-301-10
	(3.50)	(3.47)	(.41)	(2.31)	(1.16)	(.75)	(.38)	(1.44)	(.20)	(3.73)	(2.50)	(.10)	(.156)		(.156)	
Large	118	117	14	79	38.5	25	12.7	46	6.4	126	85	3	4.8	B7-50-501-10	4.8	B7-40-501-10
	(4.63)	(4.59)	(.55)	(3.13)	(1.51)	(.98)	(.50)	(1.81)	(.25)	(4.99)	(3.37)	(.12)	(.188)		(.188)	

Without Mounting Trimplate

Small	89	88	10.5	59	29.5	19	9.5	36.5	5.1	—	—	—	5.5	B7-20-301-10	—	B7-10-301-10
	(3.50)	(3.47)	(.41)	(2.31)	(1.16)	(.75)	(.38)	(1.44)	(.20)				(.219)			
Large	118	117	14	79	38.5	25	12.7	46	6.4	—	—	—	6.4	B7-20-501-10	—	B7-10-501-10
	(4.63)	(4.59)	(.55)	(3.13)	(1.51)	(.98)	(.50)	(1.81)	(.25)				(.25)			

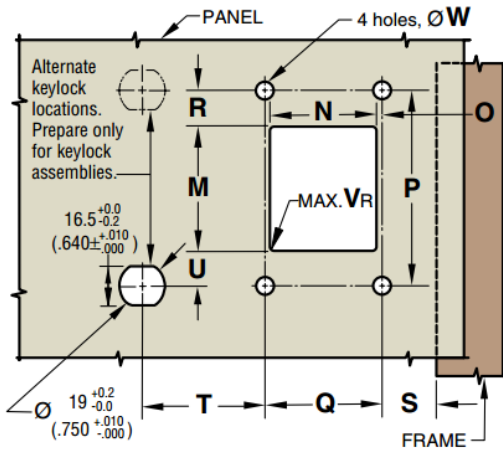
SIZE	DIMENSIONS														FOR MOUNTING ASSEMBLIES WITHOUT TRIMPLATES					
	J MAX.	K MIN.	M	N	O	P	Q	R	S		T	U	Vr	ØW	X	Y	English		Metric	
			±0.3 (±0.15)	±0.3 (±0.15)	±0.2 (±0.10)	±0.2 (±0.10)	±0.2 (±0.10)	±0.2 (±0.10)	±0.2 (±0.10)	MIN.	MAX.	±0.2 (±0.10)	±0.2 (±0.10)	MAX.	+0.1 -0.0 (+.003) (+.000)	±0.2 (±0.10)	MIN.	Screw	Rivet	Screw
Small	6.4 (.250)	16.5 (.65)	50 (2.00)	44 (1.72)	2 (.08)	79.5 (3.125)	47.5 (1.875)	14.3 (.56)	20.5 (.80)	23.5 (.92)	38 (1.50)	15 (.56)	6.5 (.25)	5.5 (.219)	15.5 (.61)	62 (2.44)	No.10	Ø 3/16	5 mm	Ø 5 mm
Large	7.9 (.313)	21.5 (.85)	68 (2.69)	58 (2.28)	3 (.11)	105 (4.125)	63.5 (2.500)	18.5 (.72)	24.5 (.97)	30 (1.22)	51 (2.00)	9 (.34)	8 (.32)	7 (.281)	20 (.80)	83 (3.25)	1/4	Ø 1/4	6 mm	Ø 6 mm

Material

- Housing: 1010 Steel, black powder coated
- Slide: Nylon, black
- Washer: Acetal, black
- Stud: Low carbon steel, zinc immersion coating
- Trimplate: 1010 Steel, black powder coated
- Nut / Lockwasher Assemblies: Steel, zinc plated
- Lock: Die-cast zinc, black powder coated
- Locking pawl: 1010 Steel, zinc plate chromate plus sealer
- Mounting screws (locking pawl): Steel, zinc plated
- Mounting hex nut (for lock): Die- cast zinc, chemical protective coating
- Key (2 supplied): Brass, nickel plated

Installation

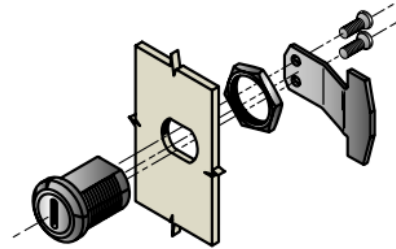
1. Prepare door panel, and prepare frame if necessary.



For Keylock:

Prepare hole in door.

When installed, be sure pawl cleanly enters opening in side of housing.



2. Pass integral studs of Trimplate through holes.
Place latch over studs and secure with nut/
lockwasher assemblies.

Latch used without Trimplate
may be installed by welding
or using rivets or screws.

